



Supporting the Code for sustainable homes. Energy efficiency, waste recycling, ecology, health and well being.

The UK's Number 1 Supplier for Recycling Bins, Clothes Airers & ECO Dryers, Cleaning Products, Replacement Ironing Board Covers, Ironing Boards, Kitchen Bins, Fireproof bins, Industrial bins and Cigarette Bins.

www.LaundryCompany.co.uk

Laundry Company Limited
Unit 9 Cheatles Bridge
Bodmoor Heath
North Warwickshire, B76 9JD

Telephone: 01827 874 100

Fax: 01827 874 200

Email: sales@laundrycompany.co.uk

Laundry Company Limited - Product Information Guide – POLYCYCLE 3 x 13 Litre Trio Recycling Bin



perfect for labeling itemised compartments

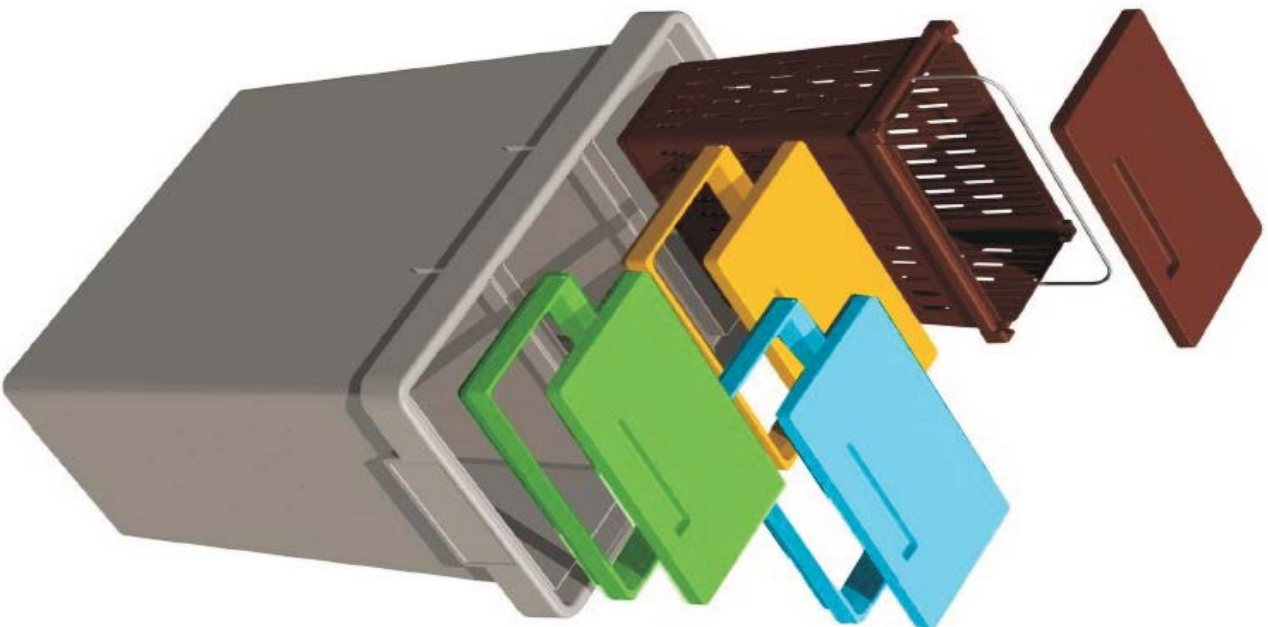
Main Benefits of the POLYCYCLE 3 x 13 Litre Trio Recycling Bin;

- ▶ Supplied with Yellow, Green and Blue lid sections.
- ▶ Capacity: 3x13 Litres = 39 Litres total
- ▶ Colours: Main: Grey | Lids: Green/Blue/Yellow
- ▶ Dimensions: Height: 425mm | Width 496mm | Depth: 296mm
- ▶ Colour coded lids with sticker pack makes it easy for you to segregate your recycling waste.

Stock Availability: In Stock - Next Day | Manufacturers Warranty: 2 Years

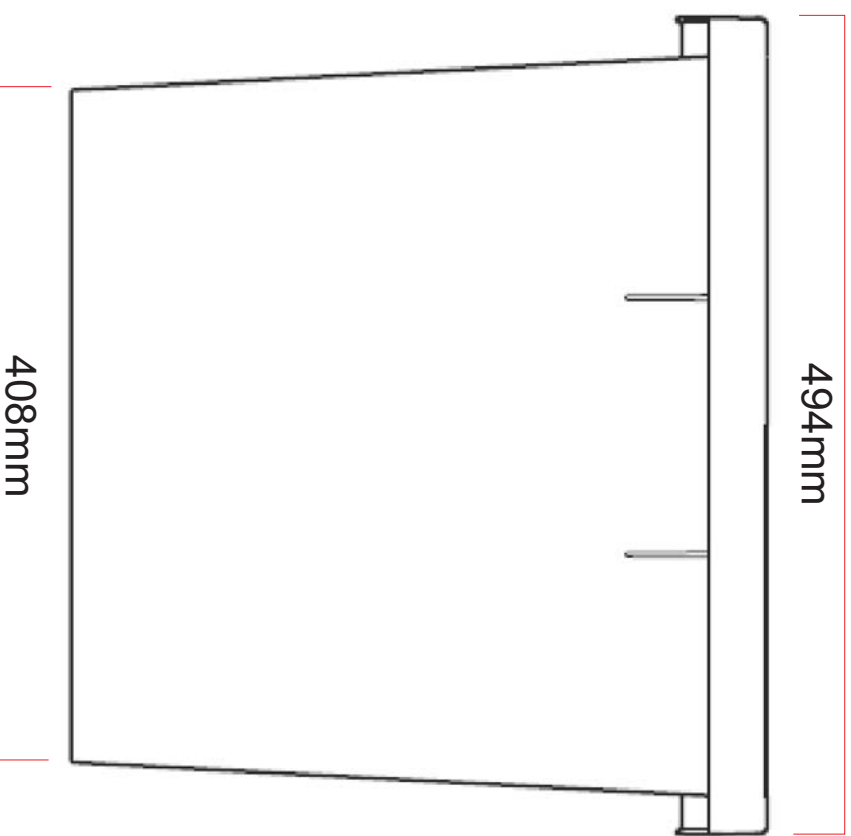
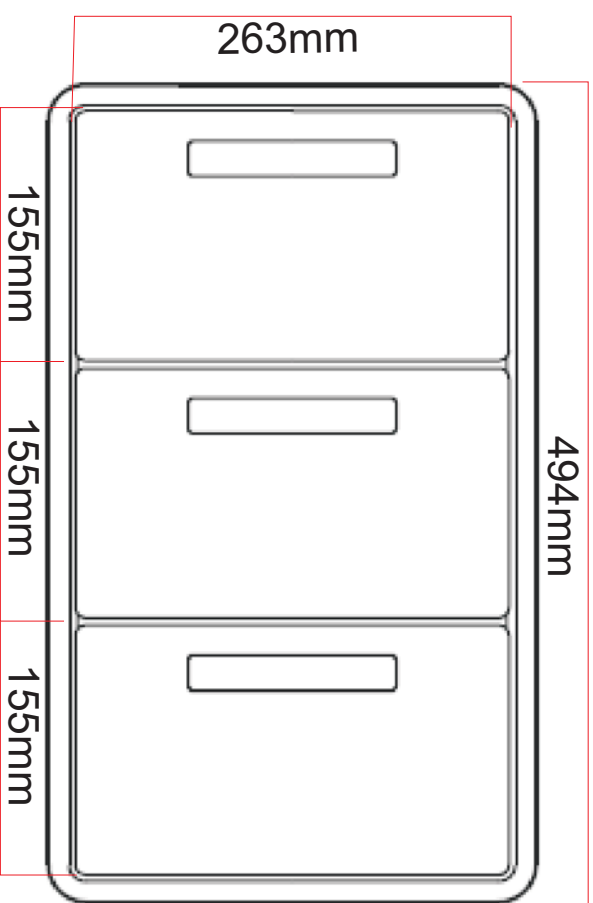
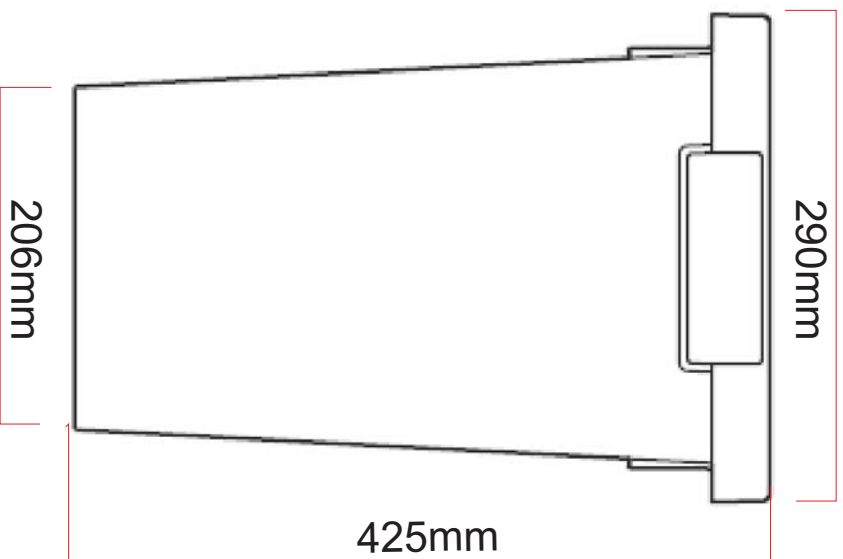
Order Part Number: PMA-4202-RH

Brian Trappett
UK Marketing Manager
brian@laundrycompany.co.uk



POLYCYCLE

versatile recycling system





Supporting the Code for sustainable homes. Energy efficiency, waste recycling, ecology, health and well being.

The UK's Number 1 Supplier for Recycling Bins, Clothes Airers & ECO Dryers, Cleaning Products, Replacement Ironing Board Covers, Ironing Boards, Kitchen Bins, Fireproof bins, Industrial bins and Cigarette Bins.

www.LaundryCompany.co.uk

Laundry Company Limited
Unit 9 Cheatles Bridge
Bodmoor Heath
North Warwickshire, B76 9JD

Telephone: 01827 874 100
Fax: 01827 874 200
Email: sales@laundrycompany.co.uk

PRODUCT ORDER SHORTFORM

Product Name	Part Code	Quantity
POLYCYCLE 3 x 13 Litre Trio Recycling Bin	PMA-4202-RH	

YOUR DETAILS

Name:	Company:	PO#:
Contact telephone number:		
Invoice Address:		
 Delivery Address (if different to invoice address):		
 Credit Card Number:		
Expiry Date:		
Security Code (from back of card, last three digits):		

**PLEASE FAX THIS ORDER TO 01827 874 200 OR EMAIL TO sales@laundrycompany.co.uk
SOMEONE WILL CONTACT YOU TO CONFIRM TOTAL AMOUNT AND ANY FURTHER
REQUIREMENTS BEFORE PROCESSING THIS ORDER. THANK YOU.**