



Supporting the Code for sustainable homes. Energy efficiency, waste recycling, ecology, health and well being.

The UK's Number 1 Supplier for Recycling Bins, Clothes Airers & ECO Dryers, Cleaning Products, Replacement Ironing Board Covers, Ironing Boards, Kitchen Bins, Fireproof bins, Industrial bins and Cigarette Bins.

www.LaundryCompany.co.uk

Laundry Company Limited
Unit 9 Cheatles Bridge
Bodmoor Heath
North Warwickshire, B76 9JD

Telephone: 01827 874 100

Fax: 01827 874 200

Email: sales@laundrycompany.co.uk

Laundry Company Limited - Product Information Guide – Leifheit Linomatic L400 Outdoor Rotary Clothes Aier



Main Benefits of the Leifheit Linomatic L400 Outdoor Rotary Clothes Aier;

- ▶ Weather and UV resistant material construction.
- ▶ Total Aier Drying Area: 40 metres
- ▶ Extended diagonal 3.03 metres
- ▶ Closed dimensions 12.5 cm x 12.5 cm x 2.1 m
- ▶ Leifheit Screw In Ground Peg Code: LE-85602. Allows easier installation of Linomatic by screwing into the ground.

Stock Availability: In Stock - Next Day | Manufacturers Warranty: 3 Years

Order Part Number: LE-82515-IBC

Brian Trappett
UK Marketing Manager
brian@laundrycompany.co.uk



The UK's Number 1 Supplier for Recycling Bins, Clothes Airers & ECO Dryers, Cleaning Products, Replacement Ironing Board Covers, Ironing Boards, Kitchen Bins, Fireproof bins, Industrial bins and Cigarette Bins.

Laundry Company Limited
Unit 9 Cheatles Bridge
Bodmoor Heath
North Warwickshire, B76 9JD

Supporting the Code for sustainable homes. Energy efficiency, waste recycling, ecology, health and well being.

www.LaundryCompany.co.uk

Telephone: 01827 874 100
Fax: 01827 874 200
Email: sales@laundrycompany.co.uk

You have chosen a top quality product with this LEIFHEIT rotary clothes dryer.

The washing line is retractable, so it is always protected inside the arms when closed. That means it stays clean and cannot tangle.

The rotary dryer is made of aluminium and high quality plastic– it is tough, rustproof and withstands all weathers.

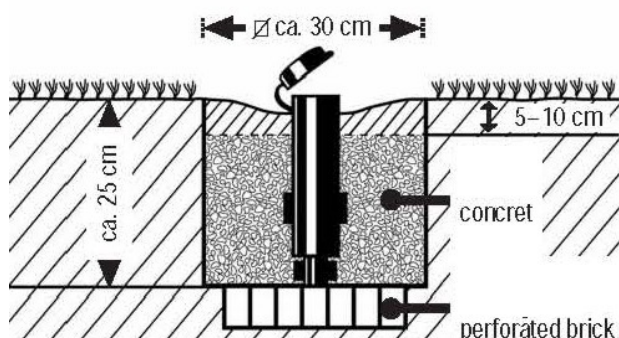
3-year guarantee

LEIFHEIT offers a 3-year guarantee on this product. If a production defect is discovered during the warranty period, we will repair it free of charge.

This only applies if you use the original LEIFHEIT mounting socket which is delivered with the product! You can also purchase the mounting socket, protective cover and other accessories for your dryer.

Instructions for use

1. Choose a sunny spot unobstructed by trees, bushes, fences, etc. The arms must be able to rotate freely.



2. Dig a hole.

3. Mix about 20 litres (2 buckets) of concrete with some water to make it slightly moist – 5 parts sand to 1 part cement. Set the mounting socket into the hole and fill the hole with the concrete.

4. Make sure the mounting socket is centred and straight. Test this by inserting the clothes dryer and checking that it is vertical with a spirit level.

5. The mounting socket should protrude enough to let you shut the cover.

6. Leave the concrete for a couple of days to set.

Transport protection **MUST** be removed before use.

To open, simply pull the draw cord.

To close, Release the catch. Lower the arms.

Tips and care

1. Always close the dryer after use, so your washing line is protected and stays clean.

2. Screw the dryer into the mounting socket as you hang up your washing. That will save you time and effort.

3. Hang your washing evenly round the line, and do not use in strong winds.

4. Close the mounting socket cover when you remove the dryer.

5. Clean the mounting socket occasionally to remove soil, sand and water.

6. Clean the pole, too, as required.

