



Supporting the Code for sustainable homes. Energy efficiency, waste recycling, ecology, health and well being.

The UK's Number 1 Supplier for Recycling Bins, Clothes Airers & ECO Dryers, Cleaning Products, Replacement Ironing Board Covers, Ironing Boards, Kitchen Bins, Fireproof bins, Industrial bins and Cigarette Bins.

www.LaundryCompany.co.uk

Laundry Company Limited
Unit 9 Cheatles Bridge
Bodmoor Heath
North Warwickshire, B76 9JD

Telephone: 01827 874 100

Fax: 01827 874 200

Email: sales@laundrycompany.co.uk

Laundry Company Limited - Product Information Guide – Leifheit 13 Litre Built In Compact Cupboard Bin



Main Benefits of the Leifheit 13 Litre Built In Compact Cupboard Bin;

- ▶ Simple unproblematic assembly and installation with automatic lid-lift system.
- ▶ Total Capacity: 13 Litres
- ▶ Colours: Main: Grey | Lid: Black
- ▶ Dimensions: Height: 380 mm | Width: 355 mm | Depth: 290 mm
- ▶ Easy to install. Full instructions included.

Stock Availability: In Stock - Next Day | Manufacturers Warranty: 2 Years

Order Part Number: LE-752604-PB

Brian Trappett
UK Marketing Manager
brian@laundrycompany.co.uk



Supporting the Code for sustainable homes. Energy efficiency, waste recycling, ecology, health and well being.

The UK's Number 1 Supplier for Recycling Bins, Clothes Airers & ECO Dryers, Cleaning Products, Replacement Ironing Board Covers, Ironing Boards, Kitchen Bins, Fireproof bins, Industrial bins and Cigarette Bins.

www.LaundryCompany.co.uk

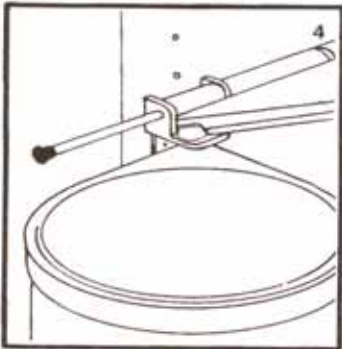
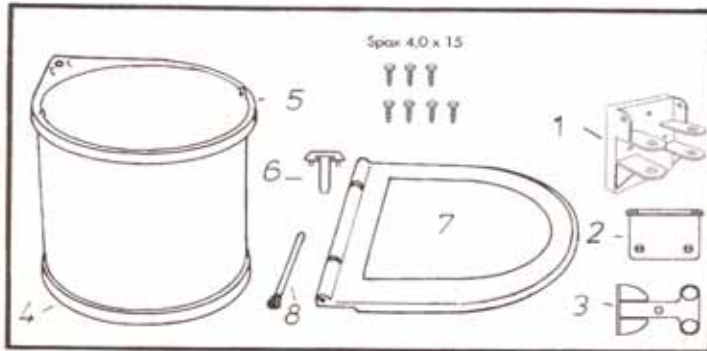
Laundry Company Limited
Unit 9 Cheatles Bridge
Bodmoor Heath
North Warwickshire, B76 9JD

Telephone: 01827 874 100

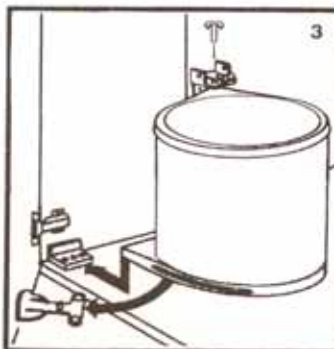
Fax: 01827 874 200

Email: sales@laundrycompany.co.uk

Abfallsammler für Einbauküchen
Kitchen Bin for Kitchens with Built-in Fitments
Collecteur à Ordures pour les Cuisines Encastrés



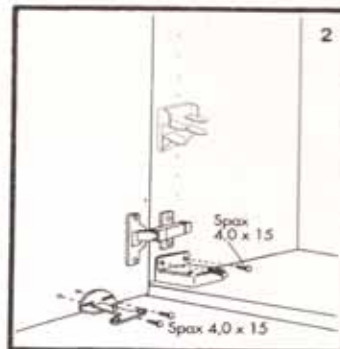
Deckel 7 zwischen Teil 1 schieben und mit Stift 8 verbinden.
Slide lid 7 between part 1 and connect with pin 8.
Glisser le couvercle 7 entre la partie 1 et connecter avec la cheville 8.



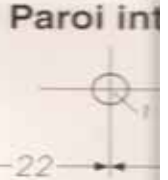
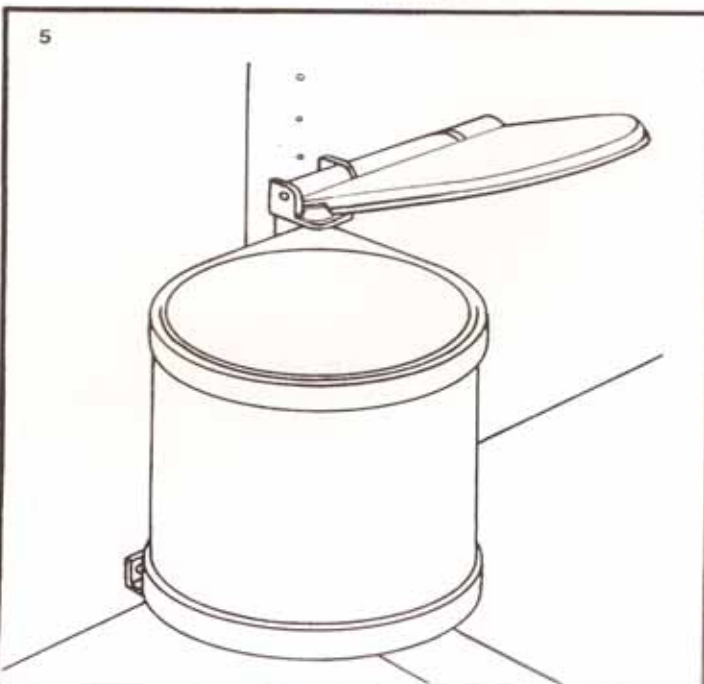
Unteren Eierrand 4 in Teil 2 stecken und über Minen-mer Teil 3 anschrauben.
Obere Eierrand 5 mittels Stift 8 mit Teil 1 verbinden.
Put bottom rim edge into 4 part 2 and slide part 3 over dog.
Connect top bin part 5 with part 1 by means of pin 8.
Mette le bord inférieure du seau 4 dans la partie 2 et glisser partie 3 sur lui.
Connecter le bord supérieure du seau 5 avec la partie 1 par la cheville 8.

Tür links
ansschlagend
Door left knocking
Porte s'arrêtant
à gauche

Montageanleitung
und Schablone
Mounting Instructions
and Template
Instructions de
Service et Gabarit



Teil 1, Teil 2 + Teil 3 anschrauben.
Screw on part 1, 2 + 3.
Visser partie 1, partie 2 + partie 3.



Schablone an-
Apply template
Appliquer le g-
Löcher 1, 2 +
Bohrer ø 2,5
Drill holes 1, 2
Drill ø 2,5
Aléser des trous
Perçoir ø 2,5





Supporting the Code for sustainable homes. Energy efficiency, waste recycling, ecology, health and well being.

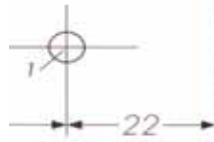
The UK's Number 1 Supplier for Recycling Bins, Clothes Airers & ECO Dryers, Cleaning Products, Replacement Ironing Board Covers, Ironing Boards, Kitchen Bins, Fireproof bins, Industrial bins and Cigarette Bins.

www.LaundryCompany.co.uk

Laundry Company Limited
Unit 9 Cheatles Bridge
Bodmoor Heath
North Warwickshire, B76 9JD

Telephone: 01827 874 100
Fax: 01827 874 200
Email: sales@laundrycompany.co.uk

de wall /



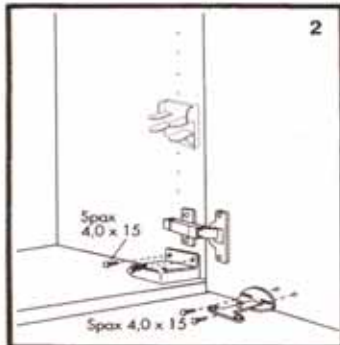
**Tür rechts
anschlagend**
Door right knocking
**Porte s'arrêtant
à droite**

**Montageanleitung
und Schablone**
**Mounting Instructions
and Template**
**Instructions de
Service et Gabarit**

befestigen.
dhesive tape.
iban adhésif.

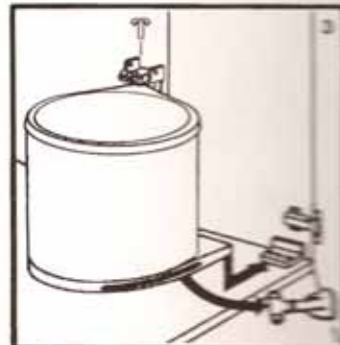
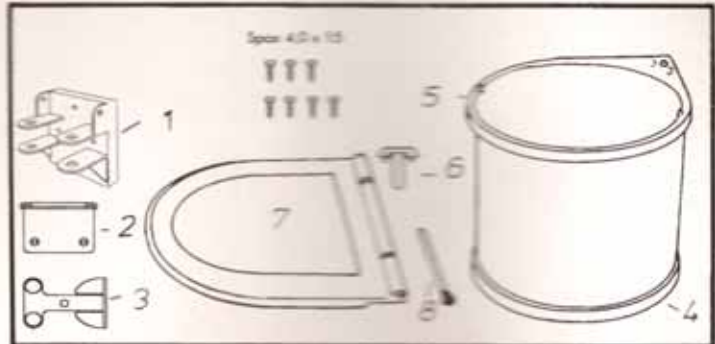


1.
plate.

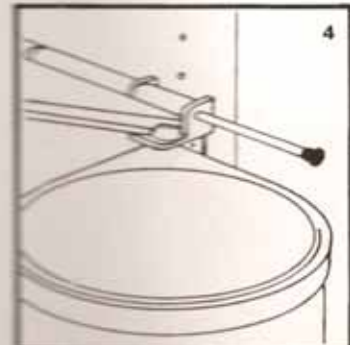


Teil 1, Teil 2 + Teil 3 anschrauben.
Screw on part 1, 2 + 3.
Visser partie 1, partie 2 + partie 3.

Abfallsammler für Einbauküchen
Kitchen Bin for Kitchens with Built-in Fitments
Collecteur à Ordures pour les Cuisines Encastrés



Unterer Eimer Rand 4 in Teil 2 stecken und über den Haken, Teil 3 schieben.
Oberer Eimer Rand 5 mittels Stift 6 mit Teil 1 verbinden.
Put bottom bin edge into 4 part 2 and slide part 3 over top.
Connect top bin part 5 with part 1 by means of pin 6.
Mettre le bord inférieure duseau 4 dans la partie 2 et glisser partie 3 sur top.
Connecter le bord supérieure du seuil 5 avec la partie 1 par la cheville 6.



Deckel 7 über den Teil 1 schieben und mit Stift 6 verbinden.
Slide lid 7 between part 1 and connect with pin 6.
Glisser le couvercle 7 entre la partie 1 et connecter avec la cheville 6.

